

# Anti-Slip Hi-Traction® PIPE & CABLE COVERS

**SAFEGUARD**  
TECHNOLOGY  
*Leading Manufacturer of Anti-Slip Safety Products*



## Pipe and Cable Covers Safely Bridge Wires, Cables, Conduit, and Pipes.

The SAFEGUARD® Hi-Traction® and HiGlo-Traction® surface provides the Anti-Slip protection you need.



[www.safeguard-technology.com](http://www.safeguard-technology.com)

Step Covers | Walkway Covers | Ladder Rung Covers | Pipe & Cable Covers | Roll-Traction® | Anti-Slip Mats | Anti-Slip Tapes

# Anti-Slip Hi-Traction® PIPE & CABLE COVERS

**SAFEGUARD® Hi-Traction® Pipe & Cable Covers**  
Safely bridging wires, cables, pipes and conduit.

## Pipe and Cable Covers

Safeguard Pipe & Cable Covers are designed to provide a non-slip safety bridge over dangerous trip-and-fall hazards.

## Rugged Construction

Available in maximum lengths of 10 feet, the Pipe & Cable Cover is designed for foot traffic or light equipment only. The Pultruded Composite Polymer is corrosion resistant and flame retardant.

## Colors

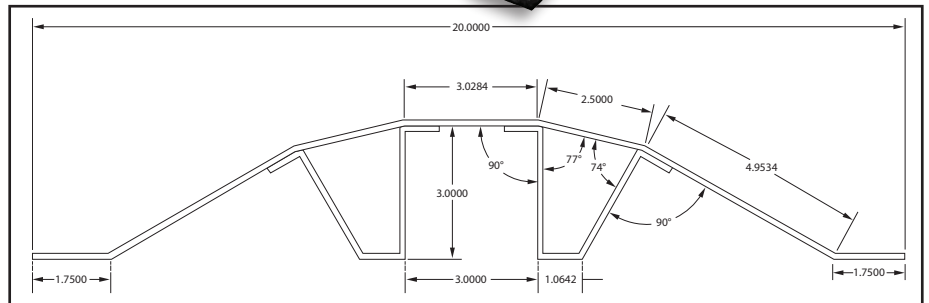
Standard Safeguard® Pipe & Cable Covers are manufactured in Safety Yellow with a Black edging configuration. To custom design your Cover, choose from a variety of colors, including photoluminescent "Glow-in-the-Dark," or incorporate descriptive messaging such as "Watch Your Step" for added safety.

## Grades

We offer 6 different grades of grit, depending on your application.

## Installation

Pipe & Cable Covers are easily installed using mechanical fasteners and/or liquid adhesive. Please refer to Section 2 of our Installation Instructions literature for complete step-by-step details.



Contact Safeguard Technology today for more information.



## SAFEGUARD TECHNOLOGY INC.

330.995.5200 | 800.989.1695 Toll-Free in the U.S. and Canada  
Email: [info@safeguard-technology.com](mailto:info@safeguard-technology.com)  
[www.safeguard-technology.com](http://www.safeguard-technology.com)

© Copyright 2016 SAFEGUARD TECHNOLOGY INC.  
SAFEGUARD® Covers, Hi-Traction®, HiGlo-Traction®,  
and Roll-Traction® are registered trademarks of  
SAFEGUARD Technology Inc. REV2\_122115